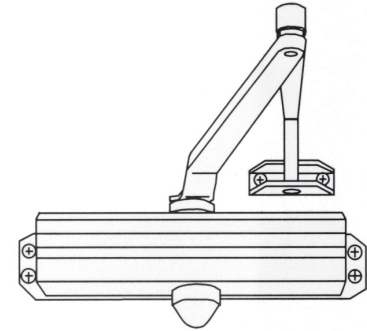


1600 Series

| | | 689, 690, 691, 696 |
|--|---|-----------------------|
| <i>(Includes sex nuts)</i> | | |
| 1601 | Multi-Size Closer (sizes 3-6) | ✓ |
| <i>(Includes sex nuts)</i> | | 689, 690 |
| 1601BF | Barrier-Free Multi-Size (sizes 1-4) | ✓ |
| 1601H | Hold Open Arm (sizes 3-6) | ✓ |
| 1601BFH | Hold Open Arm Barrier-Free (sizes 1-4) | ✓ |
| CLP1601 | Stop Only (sizes 3-6) - AVAILABLE ONLY in 689 | ✓ |
| CLP1601T | Hold Open Thumbturn (sizes 3-6) - AVAILABLE ONLY in 689 | ✓ |
| PR1601 | Parallel Rigid Arm (sizes 3-6) | ✓ |
| PR1601H | Parallel Rigid Hold Open Arm (sizes 3-6) (handed) | ✓ |
| UNI-1601 | Unitrol® Multi-Size Closer (sizes 3-6) | ✓ |
| UNI-1601BF | Unitrol® Barrier-Free Multi-Size (sizes 1-4) | ✓ |
| UNI-1601H | Unitrol® Hold Open (sizes 3-6) | ✓ |
| UNI-1601BFH | Unitrol® Barrier-Free Hold Open (sizes 1-4) | ✓ |
| Delayed Action | suffix "DA" to above part number (N/A with BF) | add'l charge |
| 1600BC | Regular Arm - Sizes 2, 3, 4, 5 | ✓ |
| 1600BCH | Hold Open Arm - Sizes 2, 3, 4, 5 | ✓ |
| CLP1600BC | Stop Only - Sizes 2, 3, 4, 5 or 6 | ✓ |
| CLP1600BC-T | Hold Open Thumbturn - Sizes 2, 3, 4, 5 or 6 | ✓ |
| PR1600BC | Parallel Rigid Arm Sizes 2, 3, 4, 5 or 6 | ✓ |
| PR1600BCH | Parallel Rigid Hold Open Sizes 2, 3, 4, 5 or 6 (handed) | ✓ |
| UNI-1600BC | Unitrol® Backcheck - Sizes 2, 3, 4, 5 or 6 | ✓ |
| UNI-1600BCH | Unitrol® Hold Open Backcheck - Sizes 2, 3, 4, 5 or 6 | ✓ |
| <i>Backcheck is standard on 1600/1601 closers, except units with Delayed Action.</i> | | |
| <i>Specify door width for all UNI closers. 33" to 41" and 42" to 48" available from stock.</i> | | |



1600 Series

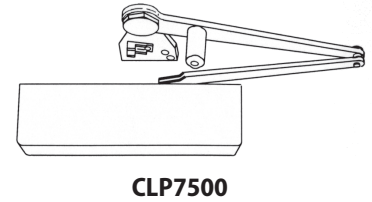
1600SS Corrosion-Resistant Closers

| Specify Regular, Top Jamb or Parallel Arm (Sex nuts not included) | | 689 |
|--|--|-----|
| 1601SS | Corrosion-Resistant — Regular, Top Jamb to 3" Reveal | ✓ |
| 1604/5BCSS | Corrosion-Resistant — Regular, Top Jamb to 3" Reveal | ✓ |
| P1601SS | Corrosion-Resistant — Parallel Arm | ✓ |
| P1604/5BCSS | Corrosion-Resistant — Parallel Arm | ✓ |
| SN-SS | SN-134SS - Sex Nuts Stainless Steel (pkg. of 4) | ✓ |

Visit midwestwholesale.com for published list prices or contact a sales representative for your pricing.

7500 Series

| Multi-Size × Tri-Pak | | |
|--|---------------------------------------|-------------------------------|
| <i>(Includes sex nuts)</i> | | 689, 690, 691, 696 |
| 7500 | Regular Arm | ✓ |
| <i>(Includes sex nuts)</i> | | 689, 690 |
| 7500H | Hold Open Arm | ✓ |
| CLP7500 | Stop Only | ✓ |
| CLP7500T | Hold Open Thumbturn | ✓ |
| PR7500 | Parallel Rigid Arm | ✓ |
| PR7500H | Parallel Rigid Hold Open Arm (handed) | ✓ |
| UNI-7500 | Unitrol® Regular Arm | ✓ |
| UNI-7500H | Unitrol® Hold Open | ✓ |
| Delayed Action | suffix "DA" to part number | add'l charge |
| <i>Specify door width for all UNI closers. 33" to 41" and 42" to 48" available from stock.</i> | | |



7500SS Corrosion Resistant Closers

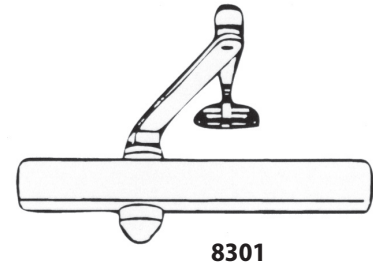
| Specify Regular, Top Jamb or Parallel Arm (Sex nuts not included) | | 689 |
|--|--|------------|
| 7500SS | Corrosion-Resistant — Regular, Top Jamb to 3" Reveal | ✓ |
| P7500SS | Corrosion-Resistant — Parallel Arm | ✓ |
| SN-SS | SN-134SS - Sex Nuts Stainless Steel (pkg. of 4) | ✓ |

Visit midwestwholesale.com for published list prices or contact a sales representative for your pricing.

8301 Series

| Slim-Line Multi-Size × Tri-Pak × Backcheck | | |
|--|---------------------------------------|-----------------------|
| <i>(Includes sex nuts)</i> | | 689, 690, 691, 696 |
| 8301 | Regular Arm | ✓ |
| 8301H | Hold Open Arm | ✓ |
| CLP8301 | Stop Only | ✓ |
| CLP8301T | Hold Open Thumbturn | ✓ |
| PR8301 | Parallel Rigid Arm | ✓ |
| PR8301H | Parallel Rigid Hold Open Arm (handed) | ✓ |
| UNI-8301 | Unitrol® Regular Arm | ✓ |
| UNI-8301H | Unitrol® Hold Open Arm | ✓ |
| Delayed Action | suffix "DA" to part number | add'l charge |

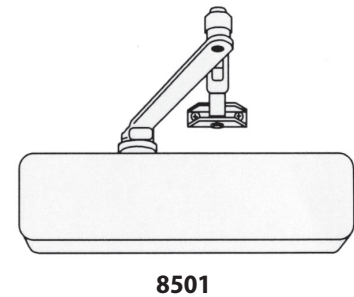
Specify door width for all UNI closers. 33" to 41" and 42" to 48" available from stock.



8501 Series

| Full Cover Multi-Size × Tri-Pak × Backcheck | | |
|---|---------------------------------------|-----------------------|
| <i>(Includes sex nuts)</i> | | 689, 690, 691, 696 |
| 8501 | Regular Arm | ✓ |
| 8501H | Hold Open Arm | ✓ |
| CLP8501 | Stop Only | ✓ |
| CLP8501T | Hold Open Thumbturn | ✓ |
| PR8501 | Parallel Rigid Arm | ✓ |
| PR8501H | Parallel Rigid Hold Open Arm (handed) | ✓ |
| UNI-8501 | Unitrol® Regular Arm | ✓ |
| UNI-8501H | Unitrol® Hold Open Arm | ✓ |
| Delayed Action | suffix "DA" to part number | add'l charge |

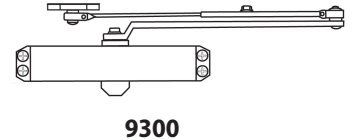
Specify door width for all UNI closers. 33" to 41" and 42" to 48" available from stock.



Visit midwestwholesale.com for published list prices or contact a sales representative for your pricing.

9300 Series

| Tri-Style® Packaging | | |
|----------------------------|---|-----------------------|
| <i>(Includes sex nuts)</i> | | 689, 690, 691, 696 |
| 9303BC × 9318A | Regular Arm w/Soffit Plate & Backcheck | ✓ |
| 9304BC × 9318A | Regular Arm w/Soffit Plate & Backcheck | ✓ |
| 9305BC × 9318A | Regular Arm w/Soffit Plate & Backcheck | ✓ |
| 9303BCH × 9328H | Regular HO Arm w/Soffit Plate & Backcheck | ✓ |
| 9304BCH × 9328H | Regular HO Arm w/Soffit Plate & Backcheck | ✓ |
| 9305BCH × 9328H | Regular HO Arm w/Soffit Plate & Backcheck | ✓ |



9500 Series Cast Iron

| Tri-Style® Packaging | | |
|----------------------------|--------------------------|----------|
| <i>(Includes sex nuts)</i> | | 689, 690 |
| 9500 | Regular Arm, size 1-6 | ✓ |
| 9500H | Regular HO Arm, size 1-6 | ✓ |

160 Series

| Tri-Style® Packaging | | |
|----------------------------|--|----------|
| <i>(Includes sex nuts)</i> | | 689, 690 |
| 161BF × TPN | Tri-Packed (Regular, Parallel, Top Jamb Mounting), Adjustable size 1-4, Non-Hold Open | ✓ |
| 161BF × TPH | Tri-Packed (Regular, Parallel, Top Jamb Mounting), Adjustable size 1-4, Hold Open | ✓ |

Visit midwestwholesale.com for published list prices or contact a sales representative for your pricing.

210 Series

| Tri-Style® Packaging | | |
|----------------------------|--|----------|
| <i>(Includes sex nuts)</i> | | 689, 690 |
| 210 × TPN | Tri-Packed (Regular, Parallel, Top Jamb Mounting), Adjustable size 1-6, Non-Hold Open | ✓ |
| 210 × TPH | Tri-Packed (Regular, Parallel, Top Jamb Mounting), Adjustable size 1-6, Hold Open | ✓ |

Parts

| | | 689, 690, 691, 696 |
|-------|-------------------------------------|-----------------------|
| 1618A | Soffit Plate Non-Hold Open | ✓ |
| 1628H | Soffit Plate Hold Open | ✓ |
| 1687 | Top Jamb Drop Plate for 1600 series | ✓ |
| 1688 | Drop Plate for 1600 series | ✓ |
| 7786 | Drop Plate for 7000 series | ✓ |
| 7787 | Drop Plate for 7000 series | ✓ |
| 7788 | Drop Plate for 7000 series | ✓ |
| 6890 | Support Bracket | ✓ |
| 6891 | Spacer Block | ✓ |
| 8146 | Drop Plate for 8000 series | ✓ |
| 8148 | Drop Plate for 8000 series | ✓ |
| 9586 | Drop Plate for 9500 series, Reg arm | ✓ |
| 9587 | Drop Plate for 9500 series, TJ arm | ✓ |
| 9588 | Drop Plate for 9500 series, PA arm | ✓ |

Visit midwestwholesale.com for published list prices or contact a sales representative for your pricing.

Power Operator – 5800 Series

| 5845 × SQPB | ADA EZ Door Operator – Low Energy Operator, Push/Pull Mounting Hardware, Aluminum Cover, ADA1015 Hardware Kit | ✓ |
|-------------|---|---|
| ADA1031 | Hand-held RF Transmitter | ✓ |

PowerMatic® Low Energy Power Operator – 5900 Series

| Multi-Size Slide Track Arm (Pull Side) | | 689 |
|--|---|------------|
| 5910 | Low Energy Operator | ✓ |
| Double Lever Arm, Standard Duty (Push Side) | | |
| 5930 | Low Energy Operator | ✓ |
| Accessories | | |
| 531 | Door Switch - 6" sq. Stainless/blue letters, ADA logo, RF | ✓ |
| 539 | Radio Frequency Receiver | ✓ |

Visit midwestwholesale.com for published list prices or contact a sales representative for your pricing.

PowerMatic® Low Energy Power Operator - 6000 Series

| Multi-Size Slide Track Arm (Pull Side) | | 689 |
|---|---|------------|
| 6010 | Low Energy Operator | ✓ |
| 6010-RF1 | Low Energy Operator w/Radio Frequency | ✓ |
| Double Lever Arm, Standard Duty (Push Side) to 110° | | |
| 6020 | Low Energy Operator | ✓ |
| 6020-RF1 | Low Energy Operator w/Radio Frequency | ✓ |
| Double Lever Arm, Standard Duty (Push Side) to 180° | | |
| 6030 | Low Energy Operator | ✓ |
| 6030-RF1 | Low Energy Operator w/Radio Frequency | ✓ |
| Double Egress Arm (PuLL Side) to 110° | | |
| 6050 | Low Energy Operator | ✓ |
| 6050-RF1 | Low Energy Operator w/Radio Frequency | ✓ |
| Double Lever Arm, Heavy Duty (Push Side) 2¼" – 4¾" Reveals | | |
| 6060 | Low Energy Operator | ✓ |
| 6060-RF1 | Low Energy Operator w/Radio Frequency | ✓ |
| Double Lever Arm, Heavy Duty (Push Side) 4¹³/₁₆" – 7³/₈" Reveals | | |
| 6070 | Low Energy Operator | ✓ |
| 6070-RF1 | Low Energy Operator w/Radio Frequency | ✓ |
| Accessories | | |
| 531 | Door Switch - 6" sq. Stainless/blue letters, ADA logo, RF | ✓ |
| 539 | Radio Frequency Receiver | ✓ |

Visit midwestwholesale.com for published list prices or contact a sales representative for your pricing.

Power Track®

| Model | Voltage | Description | 689, 690 |
|-----------|---------|--------------------------|----------|
| 7705PTDO | 24VAC | Master Unit — Pull Side | ✓ |
| 7705PTDO | 120VAC | Master Unit — Pull Side | ✓ |
| 7705PTO | 24VAC | Support Unit — Pull Side | ✓ |
| 7705PTO | 120VAC | Support Unit — Pull Side | ✓ |
| P7705PTDO | 24VAC | Master Unit — Push Side | ✓ |
| P7705PTDO | 120VAC | Master Unit — Push Side | ✓ |
| P7705PTO | 24VAC | Support Unit — Push Side | ✓ |
| P7705PTO | 120VAC | Support Unit — Push Side | ✓ |

Visit midwestwholesale.com for published list prices or contact a sales representative for your pricing.