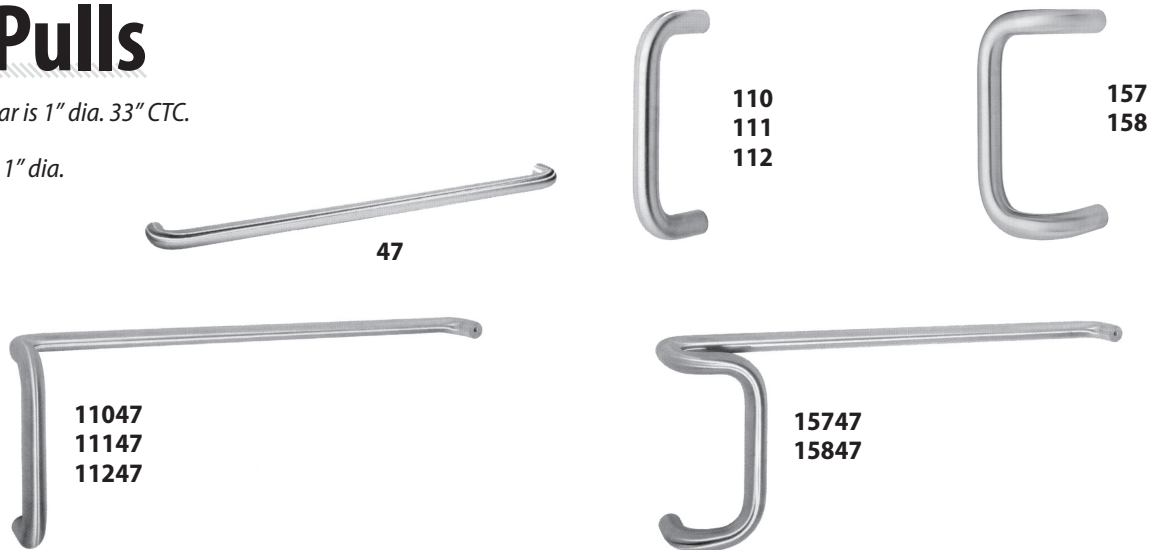


# Push & Pulls

Standard Stock for Push Bar is 1" dia. 33" CTC.

Standard Stock for Pulls is 1" dia.



Push Bars And Door Pulls					
Part Number	Description	Mounting	28	313	32D
47CC6	Push Bar 33" CTC	Type 6	✓	✓	✓
110	Pull 8" CTC	Type 1	✓	✓	✓
111A	Pull 9" CTC	Type 1	✓	✓	✓
111	Pull 10" CTC	Type 1	✓	✓	✓
112	Pull 12" CTC	Type 1	✓	✓	✓
BF157A	Offset Pull 9" CTC	Type 1	✓	✓	✓
BF157	Offset Pull 10" CTC	Type 1	✓	✓	✓
BF158	Offset Pull 12" CTC	Type 1	✓	✓	✓
BF157AC17	Offset Pull 9" CTC	Type 17	✓	✓	✓
BF157C17	Offset Pull 10" CTC	Type 17	✓	✓	✓
BF158C17	Offset Pull 12" CTC	Type 17	✓	✓	✓

Push Bar And Door Pull Sets					
Part Number	Description	Mounting	28	313	32D
11047CT3	8" CTC	T1003	✓	✓	✓
111A47CT3	9" CTC	T1003	✓	✓	✓
11147CT3	10" CTC	T1003	✓	✓	✓
11247CT3	12" CTC	T1003	✓	✓	✓
BF157A47CT3	Offset 9" CTC	T1003	✓	✓	✓
BF15747CT3	Offset 10" CTC	T1003	✓	✓	✓
BF15847CT3	Offset 12" CTC	T1003	✓	✓	✓

Universal Door Coordinator	
Part Number	
1700 BLK	✓

Visit [midwestwholesale.com](http://midwestwholesale.com) for published list prices or contact a sales representative for your pricing.

# Kick Plates

All kick plates are .050 thickness, countersunk holes, and have eased edges.

K1050	US28/PA28	US32D	US10	US3/B3	US10B
8 × 28	✓	✓	✓	✓	—
8 × 30	✓	✓	✓	✓	—
8 × 34	✓	✓	✓	✓	✓
8 × 38	✓	✓	✓	—	—
8 × 40	✓	✓	✓	—	—
8 × 42	✓	✓	—	—	—
8 × 46	✓	✓	—	—	—
10 × 28	✓	✓	—	✓	—
10 × 30	✓	✓	—	—	—
10 × 34	✓	✓	✓	—	—
10 × 38	✓	✓	—	—	—
10 × 40	✓	✓	—	—	—
10 × 42	✓	✓	—	—	—
10 × 46	✓	✓	—	—	—
12 × 34	✓	✓	—	—	—
12 × 40	—	✓	—	—	—
12 × 46	✓	✓	—	—	—
34 × 34	—	✓	—	—	—
34 × 40	—	✓	—	—	—
34 × 44	—	✓	—	—	—
34 × 46	—	✓	—	—	—

Visit [midwestwholesale.com](http://midwestwholesale.com) for published list prices or contact a sales representative for your pricing.